

Airborne video cameras

CMXHD series high definition color external camera units



Securaplane CMXHD series cameras are fully qualified lightweight and aerodynamic units designed for installation on the vertical fin or belly fuselage.

The CMXHD series are built to withstand the full range of environmental conditions expected for aircraft use and provide exceptional imaging performance all the while.

Camera windows are high-impact and scratch/chip resistant sapphire and equipped with transparent thin-film heaters to keep the image clear of frost and mist. A custom designed hermetic connector keeps the nitrogen-filled housing free of contamination.

Securaplane has over 3000 camera units deployed on business/executive, commercial transport and military/public use aircraft.

Applications for the CMXHD include situational awareness, ground taxi monitoring, security, inflight entertainment and special mission/scientific study.

Key features

- Aerodynamic design
- Fully integrated—no remote units
- DO-160G qualified. Vibration to helicopter standards
- Simple installation—profile adapters available
- Direct mechanical replacement for Securaplane CMX series SD cameras
- True High Definition HD-SDI 1080p30 signal
- Supports existing installed high performance coax for retrofit installation
- 28 VDC nominal voltage
- Sapphire window

Applications

- Inflight entertainment
- Situational awareness
- Gear position viewing
- Security
- Special mission / military COTS

Securaplane

12350 N Vistoso Park Road
Oro Valley AZ 85755
USA

Tel: +1 (520) 297 0844
Fax: +1 (520) 498 4924

www.securaplane.com
www.meggitt.com

MEGGITT
smart engineering for
extreme environments

Airborne video cameras

CMXHD series color external camera units

Specifications

Model	CMXHD-01	CMXHD-02
Part Number	100-2825-01	100-2826-01
Position	Vertical fin	Fuselage underside
Field of view horiz. x vert. deg.	88° x 57°	88° x 57°



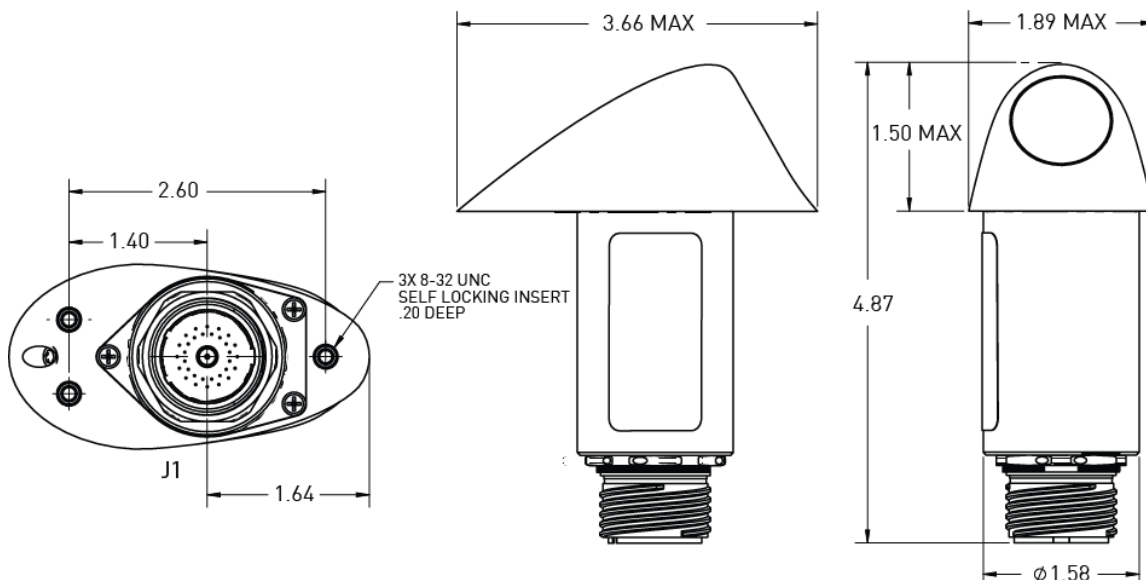
Vertical fin installation

Models	CMXHD-01, -02
Overall dim: (hwd)	4.9 x 1.9 x 3.7 inches /124 x 48 x 94mm
Weight	0.5 lbs. (227g) max
Coefficient of drag	.25 (est)
Exterior Finish	Powder coated, white
Window	Sapphire, heated
Qualification	DO-160G - alt: 55,000 ft., temp: -55°C to +70°C
Imager	1/2.7 CMOS Device
Video output	1080p30 HD-SDI, 16:9 Aspect Ratio
Min. illumination	2 lux (approx.)
Mating connector kit number	102-1148-01



Fuselage underside installation

Dimensions



Securaplane

12350 N Vistoso Park Road
 Oro Valley AZ 85755
 USA

Tel: +1 (520) 297 0844
 Fax: +1 (520) 498 4924

www.securaplane.com
 www.meggitt.com

MEGGITT
 smart engineering for
 extreme environments