



Advancing aircraft ground security

RCR-01 range-controlled radar sensor



Our security systems are the most recommended by aircraft manufacturers, operators and service centers internationally.

The RCR-01 is a new, highly advanced sensor for use with Securaplane aircraft electronic security systems to protect aircraft wheel wells. The RCR uses micro-power impulse radar to detect moving objects within a preset distance.

The RCR is a rugged, environmentally sealed replacement for the PIR-375 Passive Infrared sensor.

Key features

- Small size
3.75" W x 3.03" T x 1.02" D (not including connector)
- Easy mounting
Replaces PIR-375 Passive Infrared sensor
- Direct interface to Securaplane security systems
- Range adjustable from 2 to 8 feet in 1-foot increments

Key benefits

- Reduces false alarms
- Easy retrofit installation
Uses same mounting pattern as PIR-375
- Adaptor available to use existing PIR-375 wiring
(PN 102-1119-02 or 102-1119-03)
- Rugged construction to tolerate harsh wheelwell environment

Securaplane

Our product competencies and services:

Aircraft security systems | Airborne video cameras | Aircraft batteries | Battery chargers | Inverters | Converters | Wireless integration

© Securaplane | January 2014

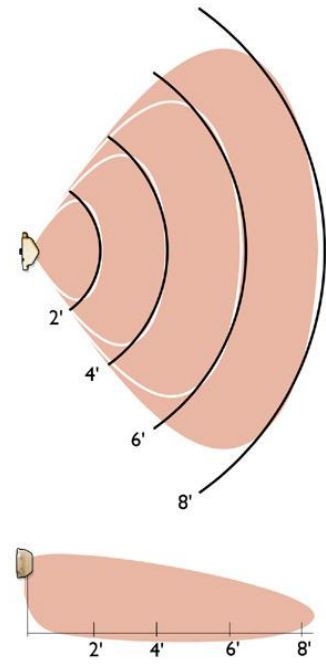
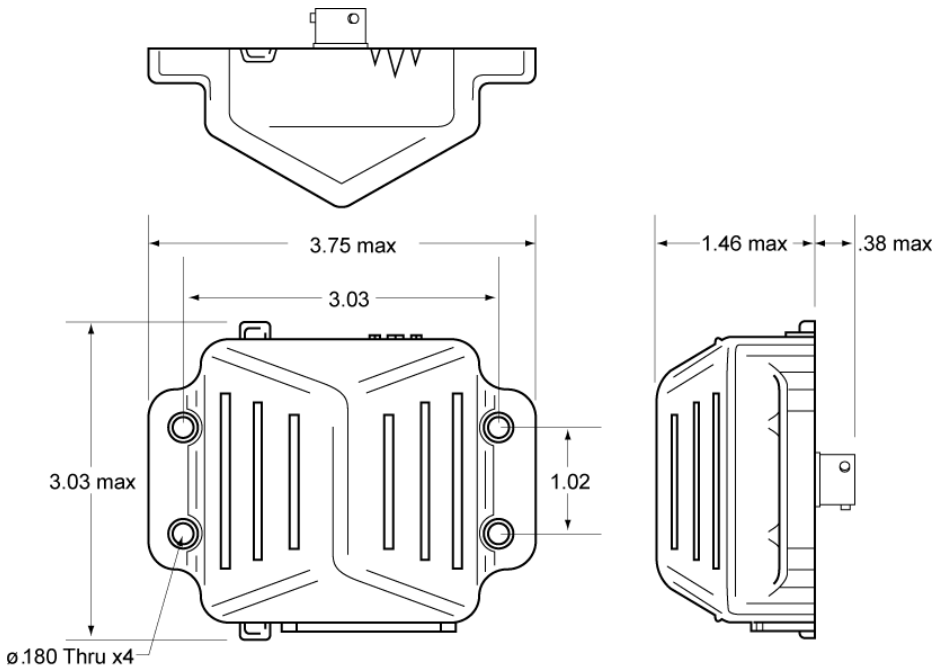
MEGGITT
smart engineering for
extreme environments



Advancing aircraft ground security

PreFlite system

Specifications



RCR Range can be set to monitor only the area you need covered.

Specification subject to change.
 Images for illustration only.
 Please contact Securaplane for installation data

Model number
RCR-01

Part number
100-2418-01

Power
12 VDC, 4mA max

Max weight
.35 lbs. (.16 kg)

Range
2' to 8', in 1' intervals (user adjustable)

Dimensions
See outline above

Connector
MS27508E8F35P or equivalent

[Mating connector MS27473E8F35S or equivalent]

EMI/environmental
RTCA/D0160D, FCC Part 15

PIR-375 wiring adaptor part numbers
102-1119-02
102-1119-03

Securaplane

12350 N Vistoso Park Road
 Oro Valley AZ 85755
 USA

Tel: +1 (520) 297 0844
 Fax: +1 (520) 498 4924

www.securaplane.com
 www.meggitt.com