

Airborne video cameras

Down zoom cameras



Securaplane's CMZ series are state-of-the-art color zoom camera units offering up to 72x zoom (18x optical + 4x digital) and a multitude of features including automatic/manual focus control, freeze frame, low-light operation and digital signal processing. The CMZ's precision optics allow you to see the more of the picture with its wide 48 degree field of view. To the other extreme you can zoom in full digital telephoto mode to less than one degree.

The lightweight CMZ-01 is designed to install flush into the belly fuselage area to provide a downward looking view below the aircraft. Internal and externally installed versions are available. CMZ-01 cameras can be controlled via RS-485 data bus or by keyline control.

Models available

- CMZ-01-1: internal installation
- CMZ-01-2: external installation
- CMZ-01-3: no mounting plate

Key features

- High resolution
- 72x zoom
18x optical and 4x digital
- Automatic focus
- Freeze frame
- Digital signal processing
- Low light operation

Applications

- Inflight entertainment

Installations

- Bombardier
- Dassault
- Gulfstream
- Boeing
- Hawker Beechcraft

Securaplane

Our product competencies and services:
Aircraft security systems | Airborne video cameras | Aircraft batteries | Battery chargers | Inverters | Converters | Wireless integration

Airborne video cameras

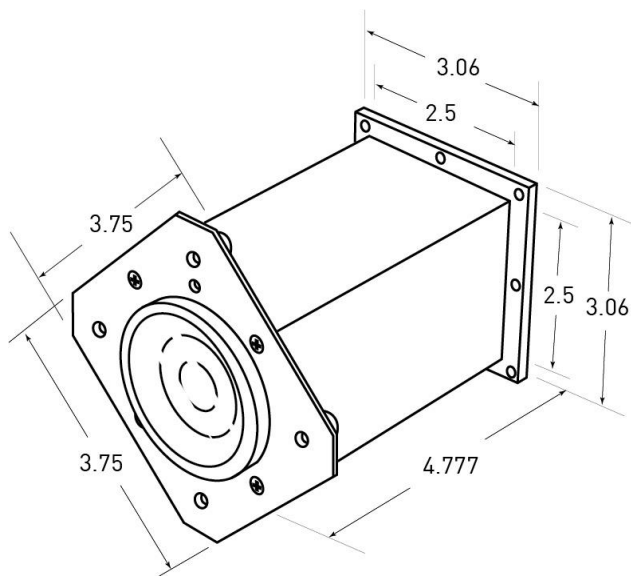
Down zoom cameras

Specifications

All models			
Overall dim (HWD)	4.7 x 2.5 x 2.5 in (119x64x64 mm)	Video output	VBS, 1.0 Vp-p at 75 Ω, negative sync
Max weight	1.75 lb (.79 kg)	Television system	NTSC 3.58 color
Finish	Powder coated, black	Horizontal field of view	Optical mode: 18x zoom, 2.7° ~ 48° ; digital mode: 72x zoom, 0.68° ~ 48°
Window material	Fused silica	Resolution	>470 horizontal TV lines
Window demisting	Internal heater	Picture elements	380K; 768 (h) x 494 (v)
Power requirements	12 VDC from VCU-05 or Securaplane-approved source (10w max)	Sync	Internal
Mating connector	MS3126F14-18S	Gamma	γ =0.45
Imager	1/4 inch interline transfer CCD	Minimum illumination	0.2 lux at f1.4
Electronic shutter	1/60-1/10,000 s plus auto-iris	White balance	Automatic, through-the-window
Features	Autofocus, freeze-frame, low-light "night" mode, digital signal processing	Signal/noise ratio	>50dB
Options	Electrical installation kit / cables; structural installation kit		

Model	CMZ-01-1	CMZ-01-2	CMZ-01-3
Part number	100-1053-01	100-1053-02	100-1053-03
Description	Camera unit, zoom, internal mount	Camera unit, zoom, external mount	Camera unit, zoom, no mounting plate
Mounting plate dim	6.02 x 0.150 in (1522 x 4mm)	3.752 x 0.50 in (952 x 1mm)	(none)
Mounting hardware	4x 10-32 fasteners	8x 10-32 fasteners	4x 4-40 fasteners

Camera specifications



Install photos



Images



Securaplane

12350 N Vistoso Park Road
 Oro Valley AZ 85755
 USA

Tel: +1 (520) 297 0844
 Fax: +1 (520) 498 4924

www.securaplane.com
 www.meggitt.com

MEGGITT
 smart engineering for
 extreme environments