



DVR-01

DIGITAL VIDEO RECORDER

The Securaplane DVR-01 is an airborne qualified digital video recorder designed for integration with Securaplane's Aircraft Electronic Security Systems and/or as a stand-alone DVR for airborne video recording applications such as flight test, cabin security, survey, or military COTS needs.

The heart of the DVR-01 is a state-of-the-art wavelet compression engine that allows up to six hours of high resolution NTSC video to be digitally stored. Compression and frame rate parameters are user configurable and full transport control is available via discrete inputs for maximum flexibility.

FEATURES:

- Seamless integration to Securaplane System 500 Aircraft Electronic Security Systems
- Easy access to stored video data via NTSC replay or download via ethernet network connection
- Captures NTSC baseband video with a resolution of 720x480 pixels at up to 30 frames per second
- User configurable

The captured video can be replayed as an NTSC composite video stream or can be downloaded via an Ethernet bus to a laptop or CMS network using Securaplane supplied software. With no need to access the recording media, the compact and lightweight DVR-01 can be installed in areas that were previously off-limits for video recorders.

The DVR-01 has been qualified to RTCA DO160D requirements.

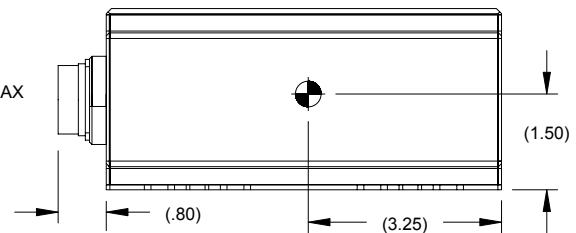
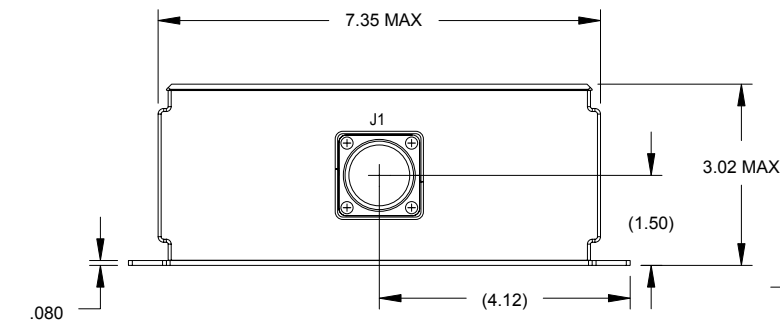
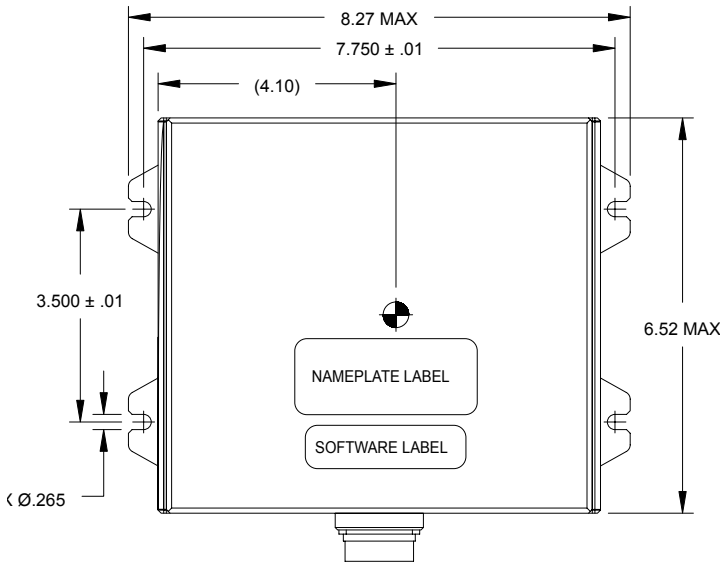




SPECIFICATIONS:

Model	DVR-01
Part Number	100-1065-01
Description	Digital Video Recorder
Power	28 VDC, 600mA max. or 12 VDC, 1.2 A max.
Max. Weight	2.96 lbs. (1.34 kg)
Discrete Commands	Record, Stop, Play, Forward, Rewind, Pause (Gnd)
Bus Interface	RS-485 (Security System), Ethernet 10baseT (User)
Video Interface	NTSC/EIA-170A Composite VBS, Input and Output
Dimensions	See Outline Below
Mounting	Flange base plate, 4x 10-32 fasteners.
Electrical Interface	See Pin Out List and Connector Definition Below
Record Time	Up to six hours depending on frame & compression rate. User adjustable.
EMI/Environmental	DO-160D

OUTLINE:



J1 CONNECTOR P/N MS27508E18A32P MATING CONN P/N MS27473E18A32S	
J1 PINS	DESCRIPTION
A	A/C 28VDC
B	A/C 28VDC RTN
C	CHASSIS GND
D	SYSPWR
E	SYSPWR RTN
F	VIDEO IN
G	VIDEO IN RTN
H	VIDEO OUT
J	VIDEO OUT RTN
K	RECORD IN
L	STOP IN
M	PLAY IN
N	FORWARD IN
P	REWIND IN
R	PAUSE IN
S	SIGNAL GND
T	POWER IND
U	RECORD IND
V	MEMORY FULL IND
W	SYSPWR ENABLE
X	SPARE
Y	RS485+
Z	RS485-
a	RS485 SHIELD
b	SPARE
c	SPARE
d	SPARE
e	DATA TX+
f	DATA TX-
g	DATA SHIELD
h	DATA RX+
j	DATA RX-



Securaplane Technologies, Inc.
Part of the Pacific Scientific Aerospace Group
10831 N. Mavinee Drive, Tucson, Arizona 85737
Tel. (520) 297-0844 • Fax: (520) 498-4924
www.securaplane.com

Information subject
to change.
Please contact
Securaplane for
current data.

